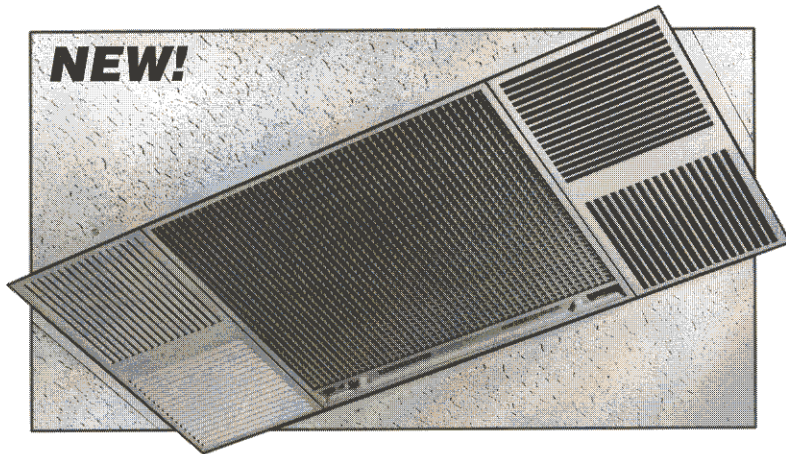


COMMERCIAL INDOOR AIR QUALITY SOLUTIONS

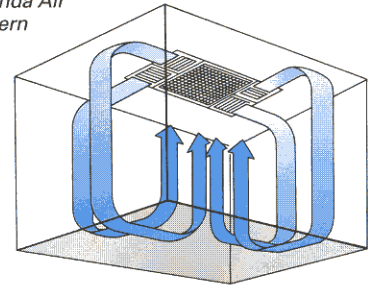
SMOKEMASTER[®]

High Efficiency Electronic Air Cleaner Model X-11Q



Features 'Coanda' 4-way air pattern. Adjustable louvers allow airflow refinement.

Coanda Air
Pattern



- Totally self-contained air cleaner.
- Ultimate 'flush with ceiling' mounted workhorse.
- Requires no filter replacement.
- Features industrial-rated electronic filtration cells.

Superior performance and time tested design makes the Smokemaster[®] an excellent choice for removing tobacco smoke, pollen, mold spores and dust.

X-11Q FEATURES & SPECIFICATIONS



Smokers like clean air, too!

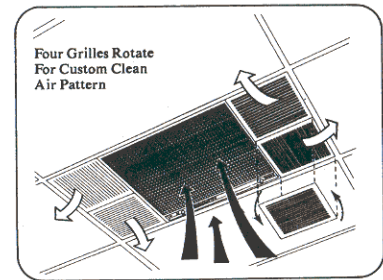
The Model X-11Q Electronic Air Cleaner:

- Comprehensive
- Inconspicuous
- Economical
- Quiet
- Assures your indoor air quality

FEATURES & BENEFITS

- **High Efficiency** - Removes dust, smoke, pollen and other particles using high efficiency electronic collector cells.
- **Inconspicuous** - The attractive grille fits flush with the ceiling and is completely inconspicuous! The cabinet is hidden in the unused space above the ceiling.
- **Quiet** - Three-speed controller is standard and allows for quiet operation without sacrificing effectiveness. It's ideal for private offices, conference rooms or other areas where noise levels may be a factor.
- **Easy Installation** - Special-mounting brackets simplify the installation and do not require any additional space above cabinet height of 13 5/8".
- **COANDA Airflow** - Effective 360° COANDA airflow gently and evenly distributes clean air and returns dirty air to the unit. COANDA airflow de-stratifies air and eliminates "stuffy" air pockets (shown right).
- **Economical** - Permanent electronic collector cells assure low operating cost by eliminating costly filter replacements. Moreover, because collector cells offer no airflow restriction, only limited horsepower is necessary, thus reducing noise and electrical draw.
- **Comprehensive** - Two activated carbon filters for odor control included.

Electronic Air Cleaning

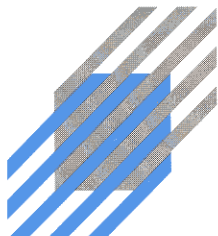
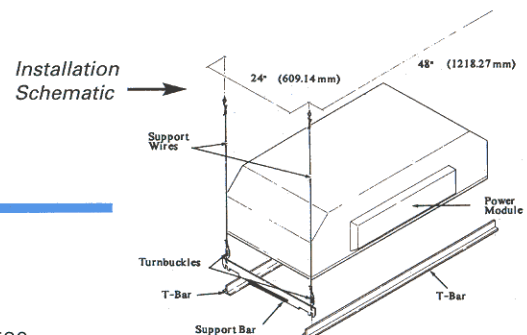


HOW THE X-11Q WORKS

Contaminant particles, such as those in tobacco smoke, receive an electrical charge as they pass into the electronic cell and are then attracted to oppositely charged collector plates, where they are held...similar to the way that metal filings collect to a magnet. The air vent provides dilution control of gaseous contaminants. Standard activated carbon filter adsorbs odors and gases to further freshen the air.

SPECIFICATIONS / MODEL X-11Q

Electrical Rating:	120V / 60 Hz
Low Speed:	500 CFM / 2.4 Amp / 200 Watts
Medium Speed:	900 CFM / 2.7 Amp / 230 Watts
High Speed:	1250 CFM / 3.3 Amp / 270 Watts
Color:	White
Motor:	1/10 Hp shaded pole fan motor, fan motor vibration isolation mounted.
Dimensions:	46 3/4" x 22 3/4" x 13 5/8" (Fits 2' x 4' tile opening.)
Installed Weight:	83 Lbs.
Shipping Weight:	101 Lbs.
Primary Filter Collection Area:	105.8 Sq. Ft.
Sorbent Media:	(2) Activated Carbon Filters, 10" x 22" x .5"
Air Cleaning Efficiency:	97% ASHRAE
Optional Accessories:	Remote Fan Speed Control Kit Electronic Cell Wash Tank and Detergent



**AIR QUALITY
ENGINEERING**

7140 Northland Drive North, Minneapolis, MN 55428-1520

PH: (800) 328-0787 FAX: (763) 531-9900 EMAIL: aqe@isd.net

Air Quality Engineering, Inc., has a policy of continuing product improvement, and reserves the right to make changes in design and specification without notice.